

Central Connecticut State University

1615 Stanley Street
New Britain, Connecticut 06050-4010
School of Engineering, Science and Technology

Name/ID: _____

Address: _____

Department of
Computer, Electronics & Graphics Technology

BS Electrical Engineering

Effective: _____

General Education

Study Area I - Arts and Humanities (6)

	Literature (Eng 203/204 recommended)	3
	PHIL 144	3

Study Area II - Social Sciences (6)

	History (Int recommended)	3
	ECON 200 or ECON 201	3

Study Area III - Behavioral Sciences (6)

		3
		3

Study Area IV - Natural Scientific (8)

	PHYS 125 - Univ Physics I	4
	PHYS 126 - Univ Physics II	4

Skill Area I - Communication Skills (6)

	WRT 105 or WRT 110	3
	ENGR 290 - Eng. Tech Writing & Pres.	3

Skill Area II - Mathematical (8)

	MATH 152 Calc I	4
	MATH 221 Calc II	4

Skill Area III - Foreign Language

	3 sequential years of one foreign language at the high school level	
	passed the foreign language exam.	
	Completed 112 or 118 foreign language courses	
	completed above 112 or 118 foreign language course demonstration of native proficiency in a language other than English	

Skill Area IV - Univ. Requirements (2-3)

	PE 144 Fitness/ Wellness	2
--	--------------------------	---

Total General Education 42

Major Requirements

			Fall	Sp
EE 101	Electric Circuits I	3		x
EE 201	Electric Circuits II	3		x
EE 212	Fundamentals of Logic Design	3	x	
EE 301	Signals and Systems	3	x	
EE 312	Computer Systems	3		x
EE 313	Electric Energy Engineering I	3	x	
EE 323	Electric Energy Engineering II	3		x
EE 324	Control Systems I	3		x
EE 330	Electromagnetics	3	x	
EE 331	Intro. to Semiconductors	3	x	
EE 333	Electric Machines & Motors I	3	x	
EE 343	Electric Machines & Motors II	3		x
EE 351	Analog Circuits Design	3		x
EE 352	Signal Processing & Pattern Analysis	3	x	
EE 353	Energy Storage System	3		x
EE 363	Renewable Energy	3	x	
EE 401	Random Signals & Systems	3	x	
EE 430	RF Communications	3		x
EE 497	Capstone Project I	2	x	x
EE 498	Capstone Project II	2	x	x
			58	

Related Major Requirements

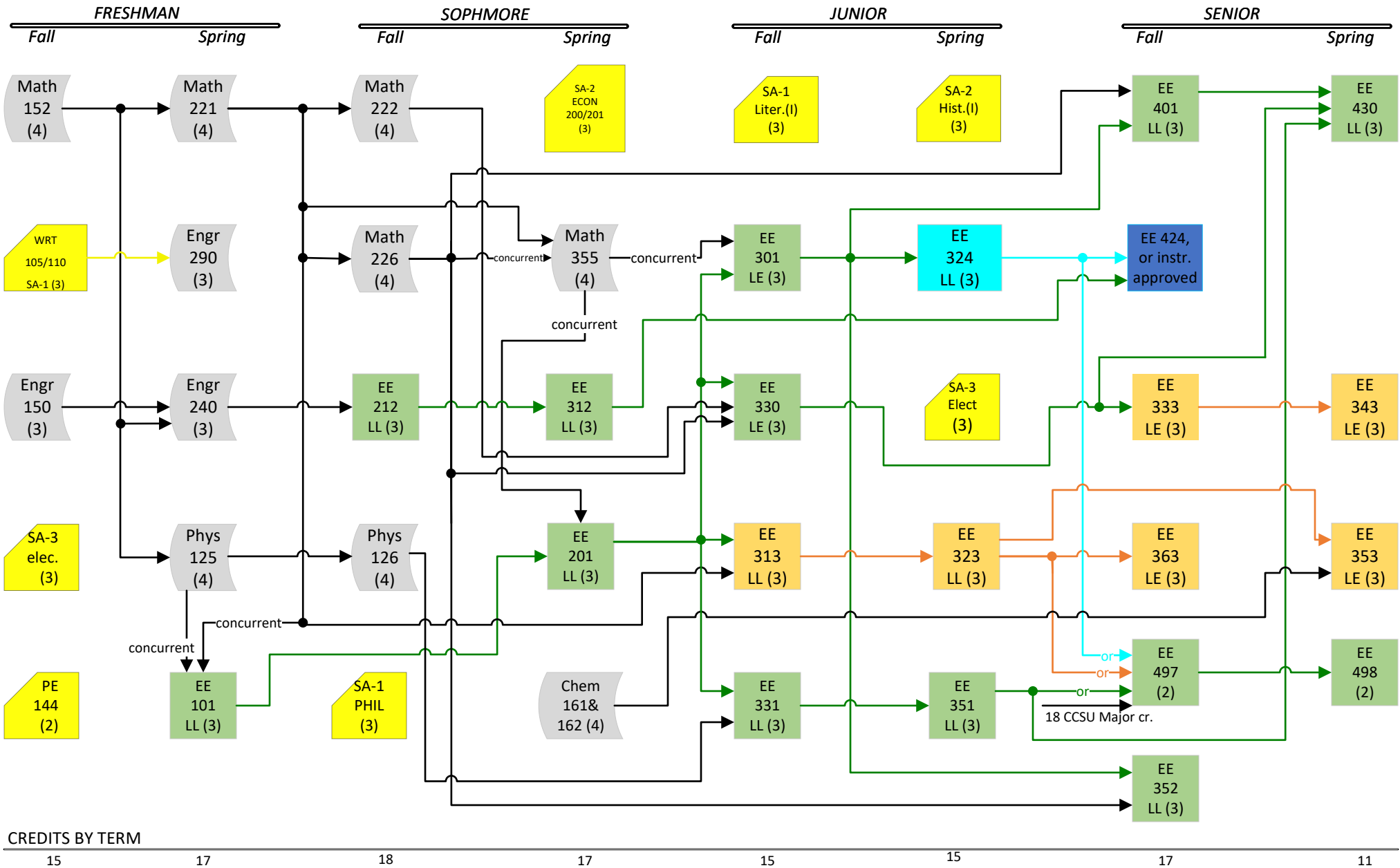
ENGR 150	Intro. to Engineering	3	x	x
ENGR 240	Computational Methods for Engrs.	3	x	x
CHEM 161	General Chemistry	3	x	x
CHEM 162	General Chemistry Lab	1	x	x
MATH 222	Calculus III	4	x	x
MATH 226	Linear Algebra and Prob for Engrs.	4	x	x
MATH 355	Intro. Differential Equations w/ Appl.	4	x	x
			22	

Directed Electives

EE 424 Control Systems II, ENGR 251/252 Engr. Mechanics-Statics/Dynamics, ME 258 Engr. Thermodynamics, etc. approved by advisor	3			
---	----------	--	--	--

TOTAL CREDITS 125

Bachelor of Science in Electrical Engineering



TOTAL CREDITS 125

General Edu. May have prereq.

Dept. of CEGT Updated 8/15/2022

Gen Ed	Related Major Course	EE xx1-Analog xx2-Digital	Power xx3	Control xx4	Directed Elective
--------	----------------------	---------------------------------	--------------	----------------	-------------------