

Central Connecticut State University

1615 Stanley Street
New Britain, Connecticut 06050-4010

School of Engineering, Science and Technology

Department of
Computer Electronics & Graphics Technology
Effective: 2022

Name/ID: _____

Address: _____

BS Computer Engineering Technology

General Education

Study Area I - Arts and Humanities (9)

Literature (I**) Eng 203 or Eng 204	3
	3
	3

Study Area II - Social Sciences (6)

History (I**)	3
	3

Study Area III - Behavioral Sciences (6)

PSY 112 **	3
	3

Study Area IV - Natural Scientific (8)

PHYS 121-Gen Physics I or PHYS 125 - Univ Physics I	4
PHYS 122-Gen Physics II or PHYS 126 - Univ Physics II	4

Skill Area I - Communication Skills (6)

WRT 105 or WRT 110*	3
ENGR 290	3

Skill Area II - Mathematical (6 - 8)

MATH 135 - App Eng Cal I or MATH 152 Cal (4 cr)	3
MATH 136 - App Eng Cal II or MATH 221 Cal II (4 cr)	3

Skill Area III - Foreign Language

3 sequential years of one foreign language at the high school level

_____ passed the foreign language exam.

_____ Completed 112 or 118 foreign language courses

_____ completed above 112 or 118 foreign language course demonstration of native proficiency in a language other than English

Skill Area IV - Univ. Requirements (2-3)

PE 144 Fitness/ Wellness	2
--------------------------	---

Total General Education 43

Major Requirements		43	Fall	Sp
CET 201	Photonics Principles	3	x	
CET 229	Computer Hardware Applications	3	x	x
CET 236	Circuit Analysis	3	x	x
CET 243	Analog Electronics I	3	x	x
CET 249	Introduction to Networking Tech	3	x	x
CET323	Analog Electronics II	3	x	x
CET 339	Computer System Administration	3	x	x
CET 349	Network Routing	3	x	x
CET 346	Electrical System Analysis	3		x
CET 363	Digital Circuits	3	x	x
CET 449	Advanced Networking	3	x	x
CET 453	Microcomputers	3	x	
CET 466	Logic Design	3	x	
CET 497	Capstone Project I	2	x	x
CET 498	Capstone Project II	2	x	x

Related Major Requirements 22

CET 113 (FYE)	Intro to Information Processing	3	x	x
CEGT 200	Seminar	1	x	x
ENGR 150	Intro to Engineering	3	x	x
CET 246	Electronic Design Automation	3	x	
CHEM 161	General Chemistry I	3	x	x
STAT 104	Elementary Statistics	3	x	x
CS 121	C Programming Practicum for Engineers	3	x	x
CS 122	C++ Programming Practicum for Engineers	3	x	x

Directed Electives 9

9 Credits of Directed Electives that are related

- | | |
|---|---|
| <input type="checkbox"/> CET 239 Intro to IoT and Embedded Sys. | <input type="checkbox"/> CET 301 Fiber-Optics Communications |
| <input type="checkbox"/> CET 439 Enterprise Messaging Systems | <input type="checkbox"/> CET 402 Topics in Comp. Electronics Technology |
| <input type="checkbox"/> CET 405 Applied Topics in CET | <input type="checkbox"/> CET 407 IT Topics in Cybersecurity |
| <input type="checkbox"/> CET 443 Electronic Communications | <input type="checkbox"/> CET 459 Network Security Technologies |
| <input type="checkbox"/> CET 463 Advanced Microcomputers | <input type="checkbox"/> CET 479 Network Administration |
| <input type="checkbox"/> CEGT 400 Internship and Senior Seminar | <input type="checkbox"/> ET 357 Strength of Materials |
| <input type="checkbox"/> ET 251 Applied Mechanics IStatics | <input type="checkbox"/> TM 362 Leading Project Teams |
| <input type="checkbox"/> ETM 356 Materials Analysis | <input type="checkbox"/> TM 490 Advanced Six Sigma Quality |
| <input type="checkbox"/> TM 464 Six Sigma Quality | |

Free elective to meet 120 credits

1-3

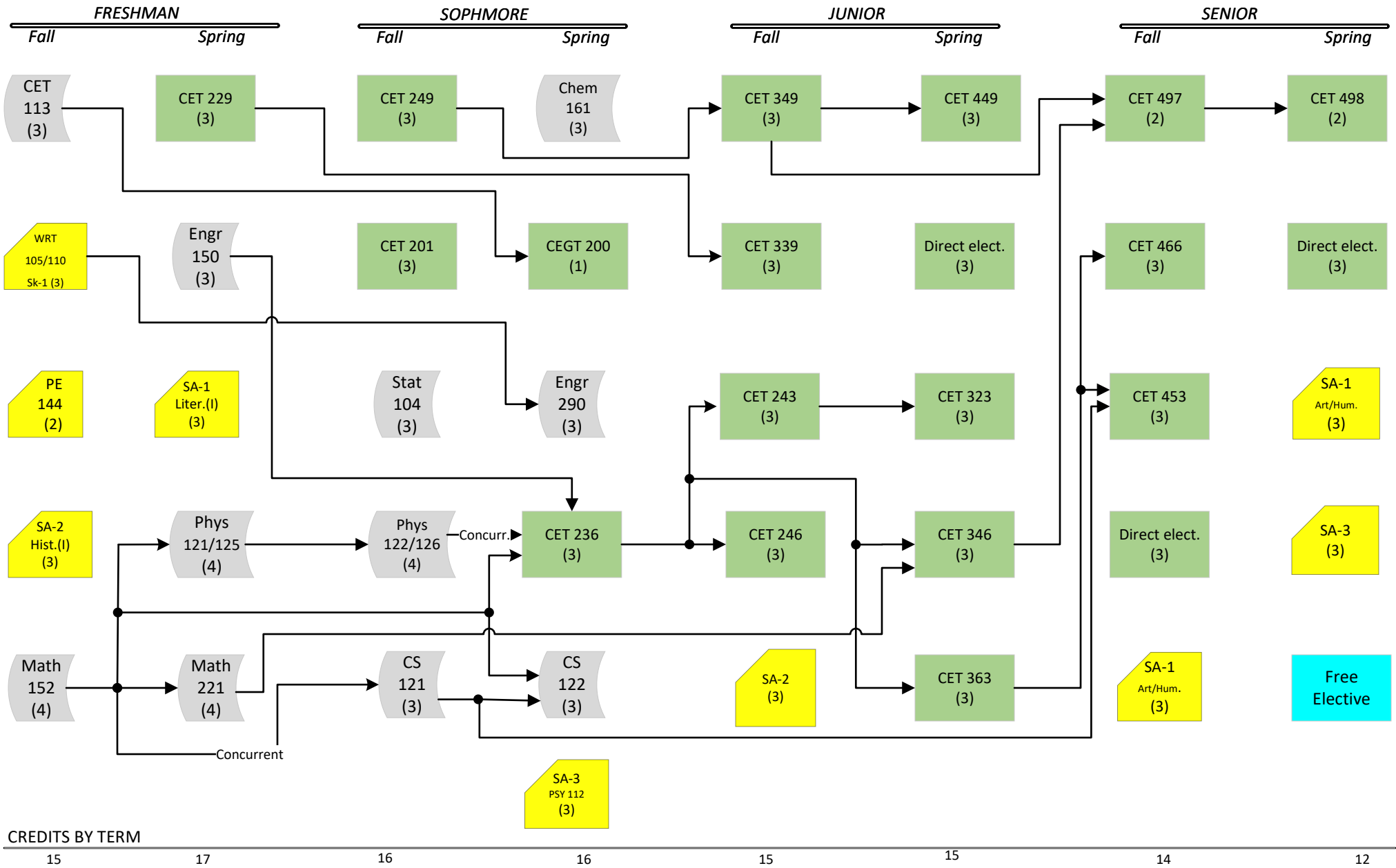
Double counting Restriction - Of the courses taken in the major and minor/concentration, a total of two courses may be counted to fulfill the Study Areas portion of the general education program.

RESIDENCY REQUIREMENTS: A minimum of 30 credits at CCSU with 15 credits in the Major and 9 credits in the Minor or Concentration (total of 24 in Major).

* **Placement Exam**

** **Recommended**

Bachelor of Science in Computer Engineering Technology



TOTAL CREDITS 120

General Edu. May have prereq.

Dept. of CEGT Updated 08/25/2022

